

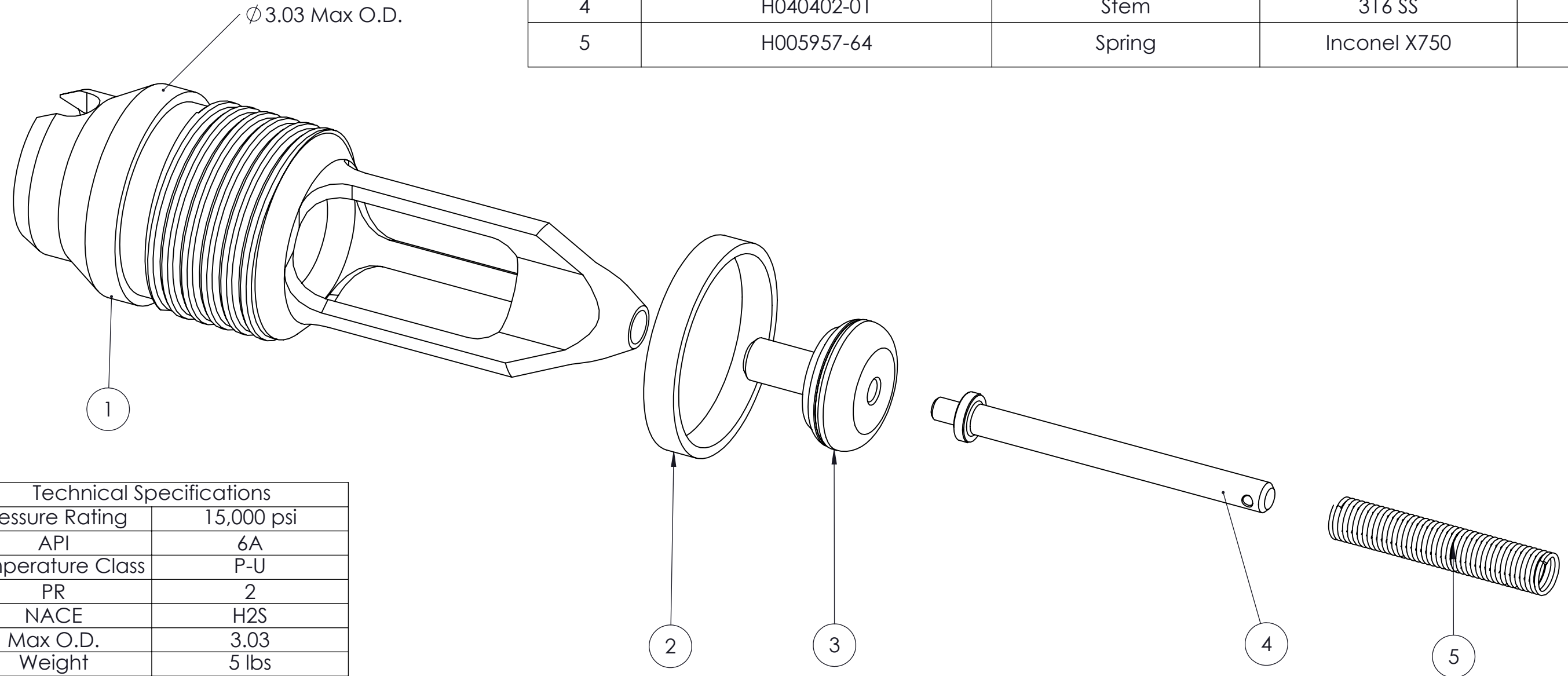
4

3

2

1

ITEM NO.	Part Number	DESCRIPTION	Material	QTY.
1	H1075	Body	Inconel 718	1
2	H017431-04	Seal Ring	HNBR	1
3	H014984-30	Piston Assembly	316 SS with HNBR Seal	1
4	H040402-01	Stem	316 SS	1
5	H005957-64	Spring	Inconel X750	1



Technical Specifications	
Pressure Rating	15,000 psi
API	6A
Temperature Class	P-U
PR	2
NACE	H2S
Max O.D.	3.03
Weight	5 lbs

UNLESS OTHERWISE SPECIFIED:		NAME	DATE	HESHKA OIL
DIMENSIONS ARE IN INCHES TOLERANCES: FRACTIONAL: $\pm 1/64$ " ANGULAR: $\pm 1/2$ Degree x.x $\pm .03$ x.xx $\pm .01$ x.xxx $\pm .005$ Surface Finish 125RMS Unless Otherwise Noted		DRAWN	FBR 1/03/2019	
MATERIAL See Table		CHECKED	MJKP 2/12/2019	
FINISH Per Customer Requirements DO NOT SCALE DRAWING		ENG APPR.	MP 2/12/2019	SIZE DWG. NO. REV B H030246-28-GA A
REV. ECN Number Date		MFG APPR.		SCALE: NTS WEIGHT: 5lbs SHEET 1 OF 1
COMMENTS:		Q.A.		

PROPRIETARY AND CONFIDENTIAL
THE INFORMATION CONTAINED IN THIS
DRAWING IS THE SOLE PROPERTY OF
HESHKA OIL. ANY REPRODUCTION IN PART
OR AS A WHOLE WITHOUT THE WRITTEN
PERMISSION OF HESHKA OIL IS PROHIBITED.



4

3

2

1