

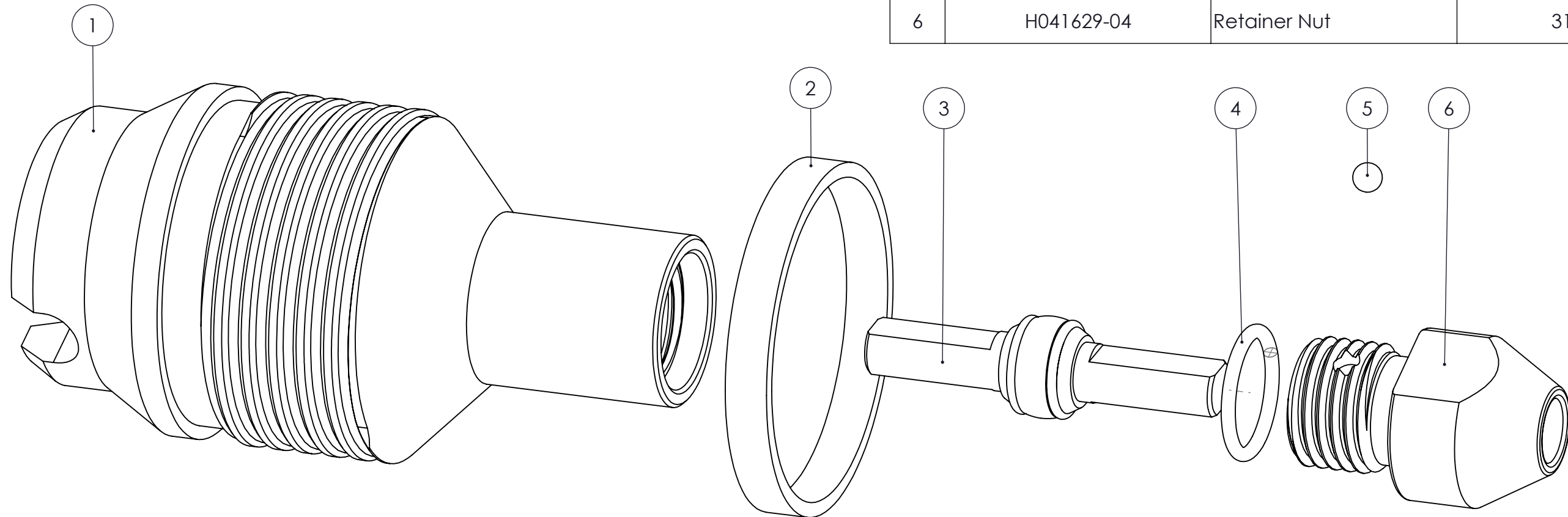
4

3

2

1

ITEM NO.	Part Number	Description	Material	QTY.
1	H20753	Body	Inconel	1
2	H017431-04	Seal Ring	HNBR	1
3	H041630-01	Plunger Assembly	316 SS & HNBR Seal	1
4	OR212-H	O Ring	HNBR	1
5	H31K7859	Ball Retainer	High Density PolyEthylene	1
6	H041629-04	Retainer Nut	316 SS	1



Technical Specifications	
Pressure Rating	15,000 psi
API	6A
Temperature Class	P-U
PR	2
NACE	H2S
Max O.D.	3.03
Weight	5.5 lbs

**PROPRIETARY AND CONFIDENTIAL**  
 THE INFORMATION CONTAINED IN THIS DRAWING IS THE SOLE PROPERTY OF Heshka Oil LLC. ANY REPRODUCTION IN PART OR AS A WHOLE WITHOUT THE WRITTEN PERMISSION OF Heshka Oil LLC IS PROHIBITED.

UNLESS OTHERWISE SPECIFIED:			NAME	DATE	<b>HESHKA OIL</b> TITLE: <b>GA</b> <b>3" TWC Valve Assembly</b>	
DIMENSIONS ARE IN INCHES			DRAWN	FR		8/27/2019
TOLERANCES:			CHECKED	MJKP		9/4/2019
FRACTIONAL ± 1/64"			ENG APPR.	MP		9/4/2019
ANGULAR: ± 1/2 Degree			COMMENTS:			
X.X ± .030						
X.XX ± .010						
X.XXX ± .005						
Surface finish 125 Ra unless otherwise stated						
MATERIAL			SIZE			
See Table			DWG. NO.			
FINISH			REV			
Per Customer Requirements			<b>B</b>			
DO NOT SCALE DRAWING			H041612-37-GA			
			<b>A</b>			
Revision	ECN Number	Date	SCALE: NTS WEIGHT: 5.5 lbs SHEET 1 OF 1			



4

3

2

1