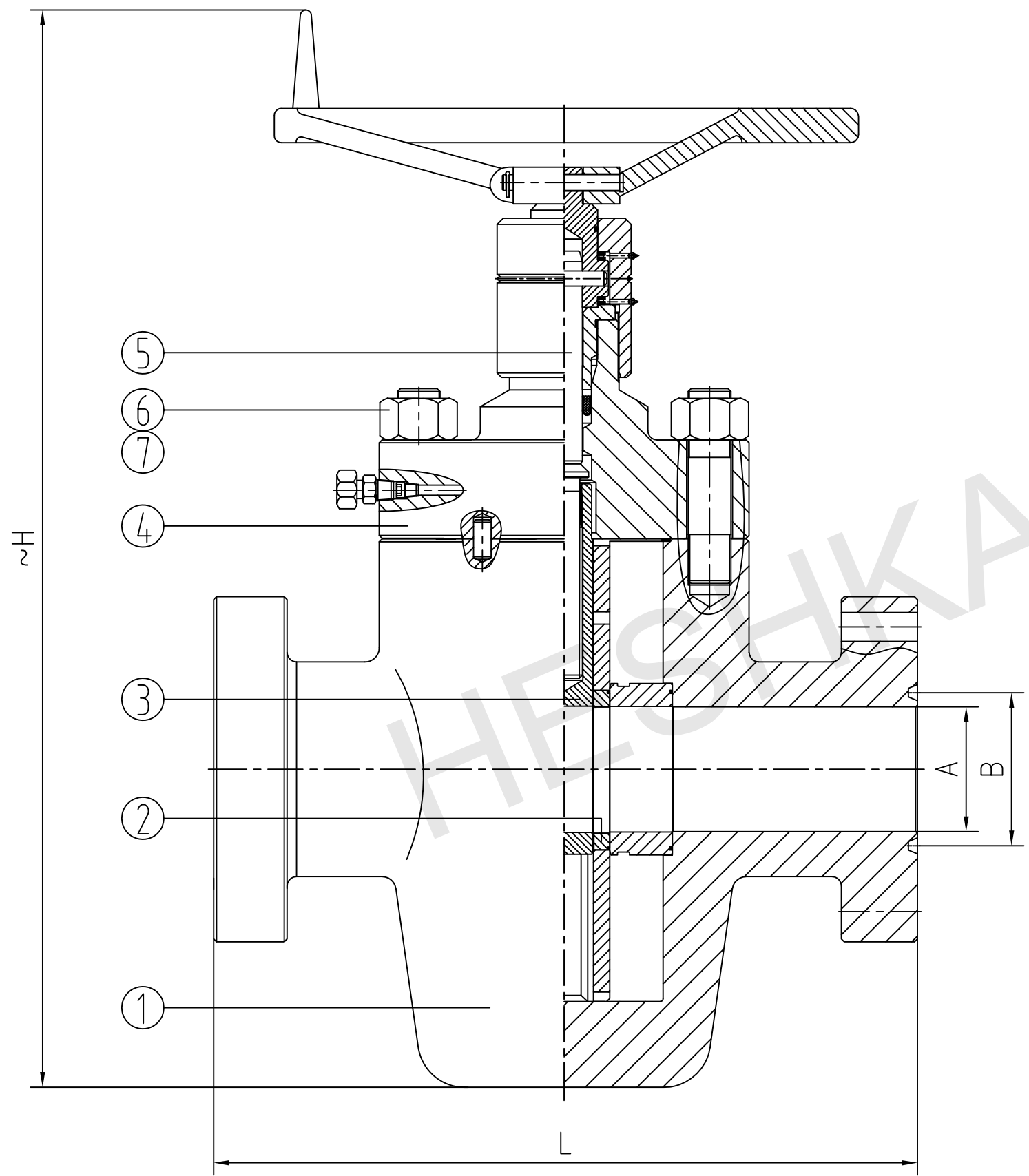


# HESHKA OIL



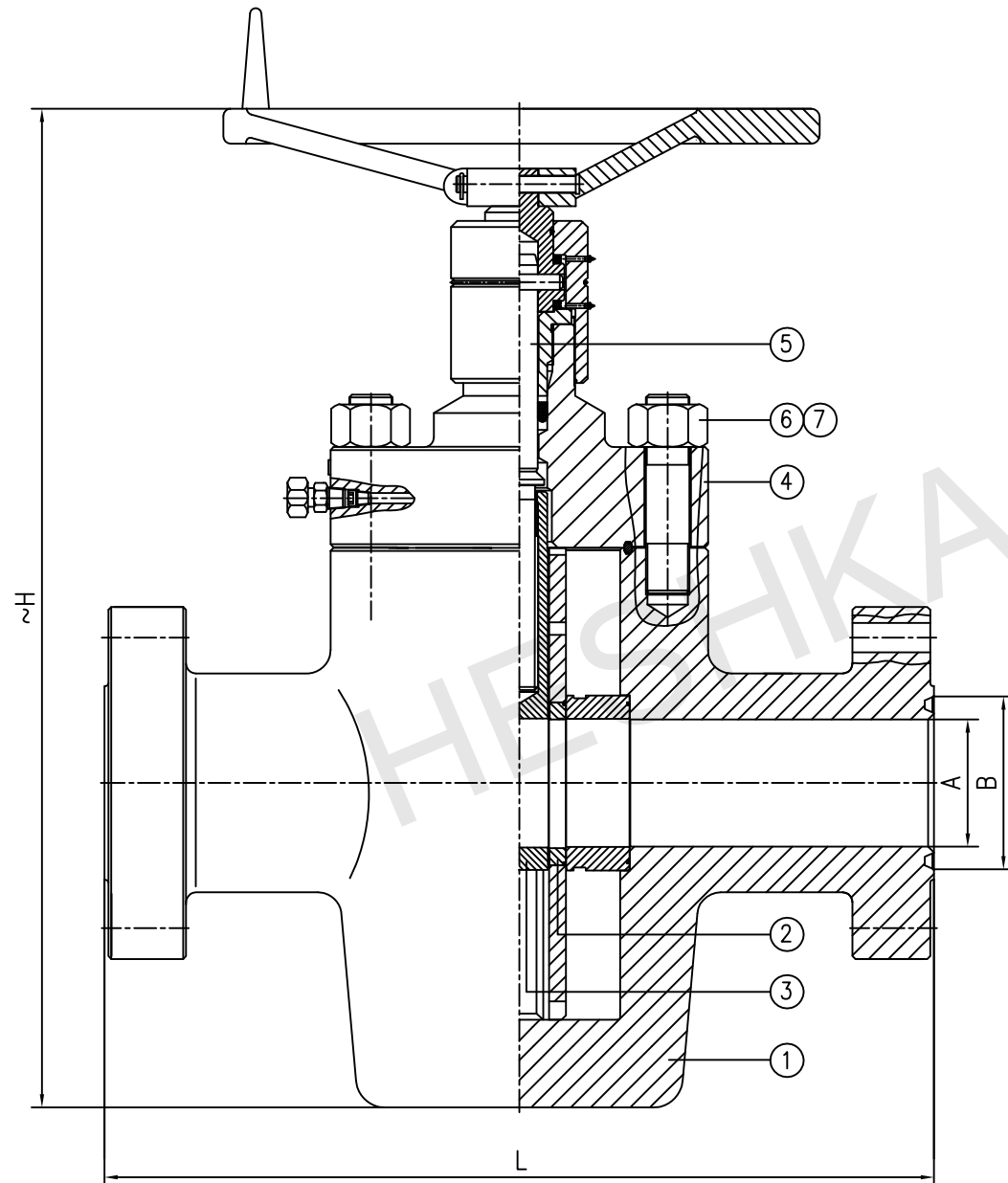
GATE VALVE

Item	NOMINAL SIZE	A	B	L	H
1	2-1/16"5000PSI	2-1/16	R24	14-5/8	~24.0625
4	3-1/8"5000PSI	3-1/8	R35	18-5/8	~29.6875
7	4-1/16"5000PSI	4-1/16	R39	21-5/8	~31.9375

PSL3 PR1 EE LU

7	NUTS	8	2H
6	STUDS	8	L7
5	STEM	1	410SS+QPQ
4	BONNET	1	AISI 4130(75K)
3	GATE	1	AISI 410+T.C
2	SEAT	2	STL 6
1	BODY	1	AISI 4130(75K)
S/N	DESCRIPTION	QTY	MATERIAL
FC Manual Gate Valve			

# HESHKA OIL



GATE VALVE

Item	NOMINAL SIZE	A	B	L	H
2	2-1/16"X10000PSI	2-1/16	BX152	20-1/2	~23.25
3	2-1/16"X15000PSI	2-1/16	BX152	19	~22
5	3-1/16"X10000PSI	3-1/16	BX154	24-3/8	~24.875
6	3-1/16"X15000PSI	3-1/16	BX154	23-9/16	~29.8
8	4-1/16"X10000PSI	4-1/16	BX155	26-3/8	~31
9	4-1/16"X15000PSI	4-1/16	BX155	29	~34.125

PSL3 PR1 EE LU

7	NUTS	8	2H
6	STUDS	8	L7
5	STEM	1	410SS+QPQ
4	BONNET	1	AISI 4130(75K)
3	GATE	1	AISI 410+T.C
2	SEAT	2	STL 6
1	BODY	1	AISI 4130(75K)
S/N	DESCRIPTION	QTY	MATERIAL

FC Manual Gate Valve