

4

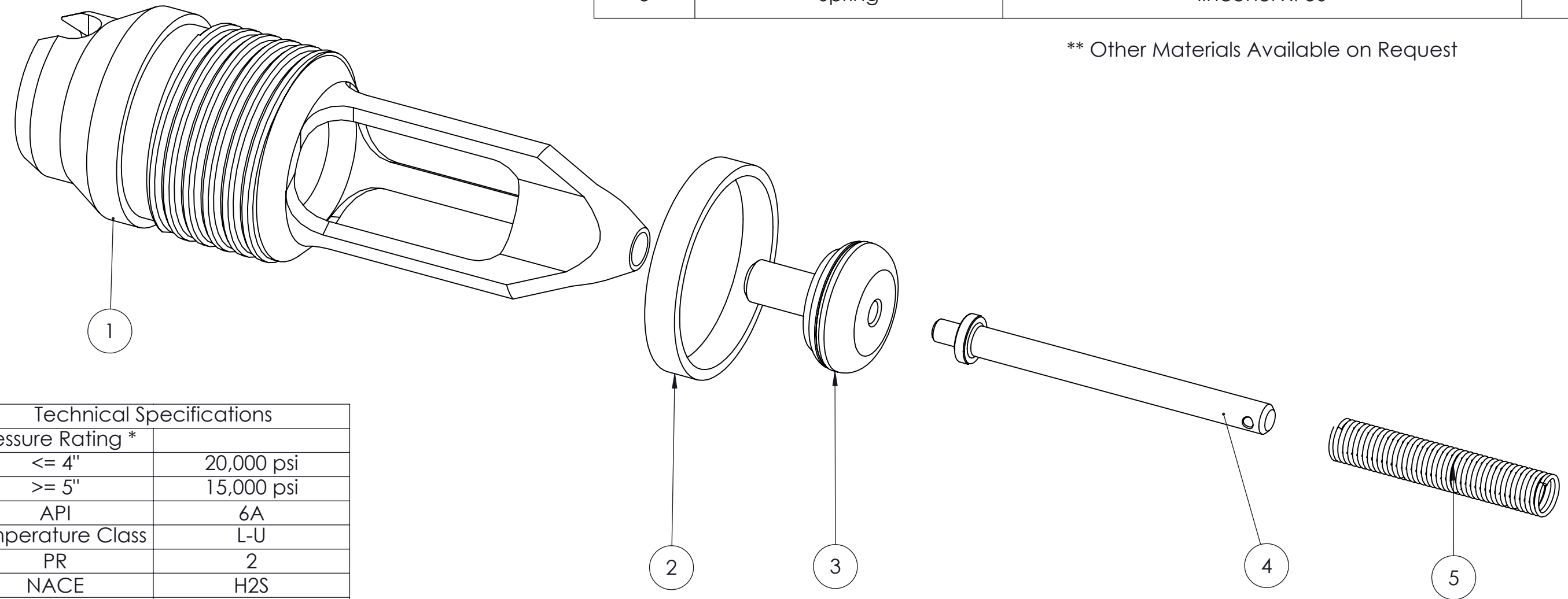
3

2

1

ITEM NO.	DESCRIPTION	Materials**	QTY.
1	Body	AISI 4130; 17-4pH SS; Inconel 718	1
2	Seal Ring	HNBR or Viton	1
3	Piston Assembly	316 SS; 17-4pH SS; Inconel 718 with HNBR or Viton Seal	1
4	Stem	AISI 4130; 17-4pH SS; Inconel 718	1
5	Spring	Inconel X750	1

** Other Materials Available on Request



Technical Specifications	
Pressure Rating *	
<= 4"	20,000 psi
>= 5"	15,000 psi
API	6A
Temperature Class	L-U
PR	2
NACE	H2S

* Pressure ratings are based on minimum material yield and assumes the Hanger is made from equivalent material and the hanger has the recommended number of threads machined in it

PROPRIETARY AND CONFIDENTIAL
THE INFORMATION CONTAINED IN THIS DRAWING IS THE SOLE PROPERTY OF HESHKA OIL. ANY REPRODUCTION IN PART OR AS A WHOLE WITHOUT THE WRITTEN PERMISSION OF HESHKA OIL IS PROHIBITED.

REV.	ECN Number	Date

UNLESS OTHERWISE SPECIFIED:		
DIMENSIONS ARE IN INCHES	NAME	DATE
TOLERANCES:	DRAWN	FBR 1/03/2019
FRACTIONAL: ±1/64"	CHECKED	MJKP 2/12/2019
ANGULAR: ±1/2 Degree	ENG APPR.	MP 2/12/2019
x.x ± .03	MFG APPR.	
x.xx ± .01	Q.A.	
x.xxx ± .005	COMMENTS:	
Surface Finish 125RMS Unless Otherwise Noted		
MATERIAL		
See Table		
FINISH		
Per Customer Requirements		
DO NOT SCALE DRAWING		

HESHKA OIL		
TITLE: GA		
Back Pressure Valve Assembly		
SIZE	DWG. NO.	REV
B	H030246-28-GA	B
SCALE: NTS	WEIGHT:	SHEET 1 OF 1



4

3

2

1