

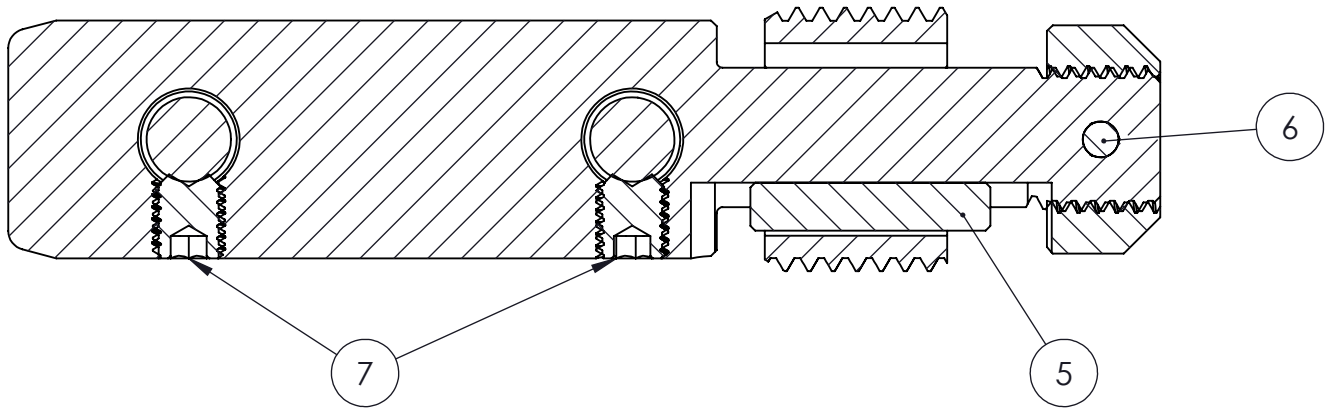
4

3

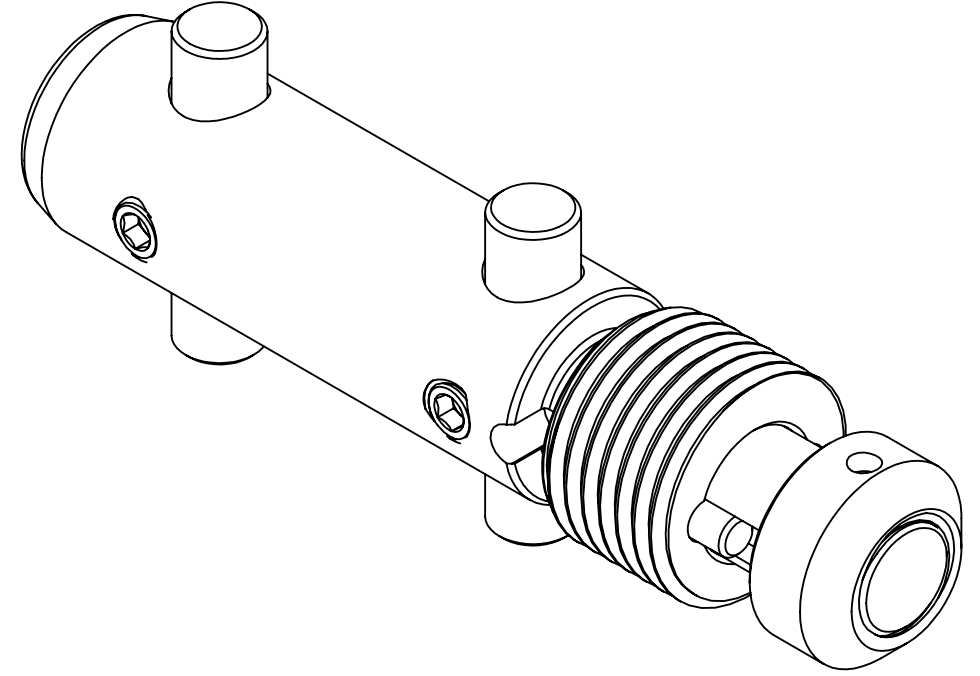
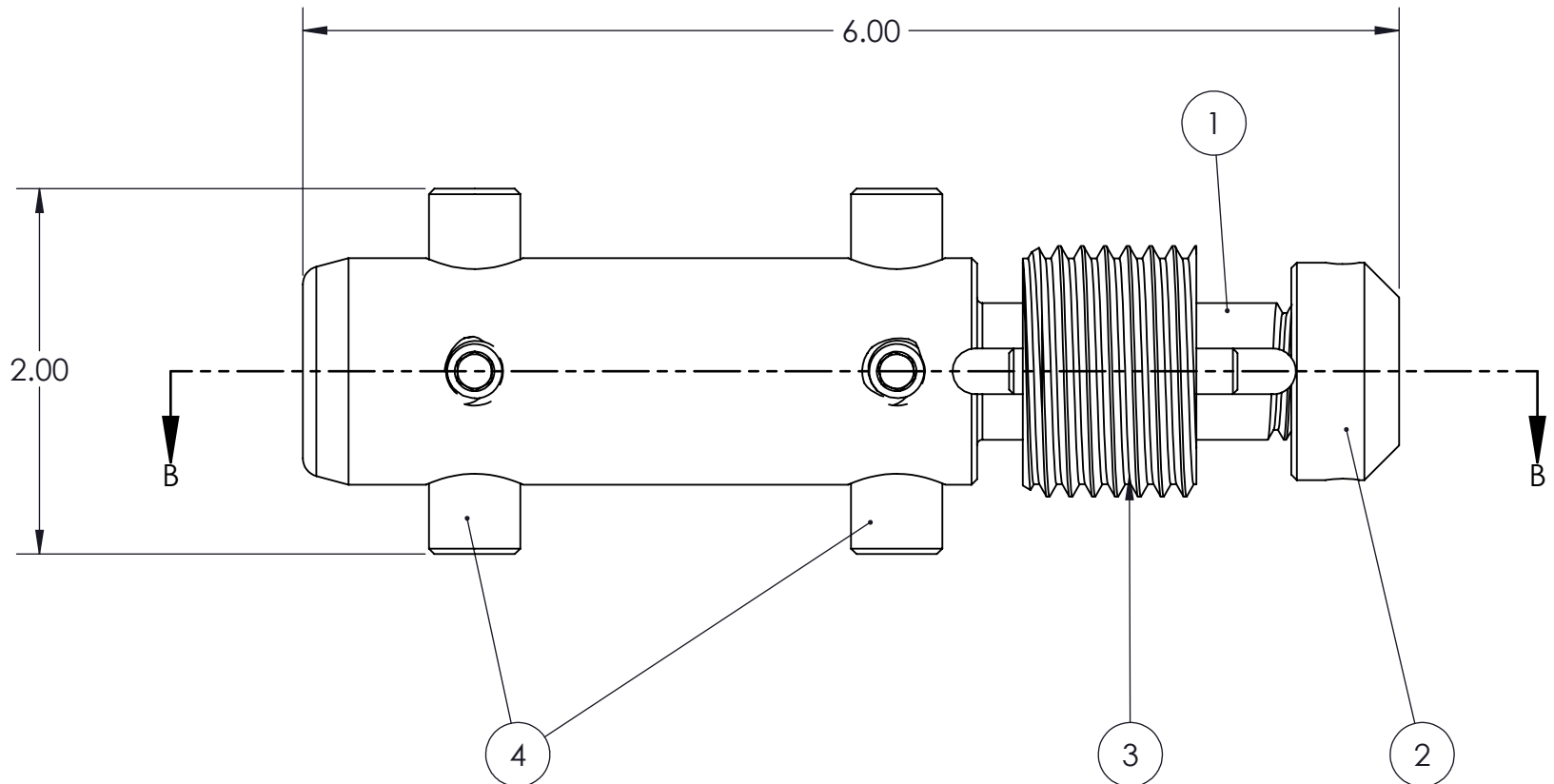
2

1

Item #	Description	Qty.
1	Body	1
2	Retainer Nut	1
3	Threaded Sleeve	1
4	Dowel Pin	2
5	Dowel Pin	1
6	Dowel Pin, Full Groove	1
7	Set Screw	2



SECTION B-B



PROPRIETARY AND CONFIDENTIAL
 THE INFORMATION CONTAINED IN THIS DRAWING IS THE SOLE PROPERTY OF HESHKA OIL. ANY REPRODUCTION IN PART OR AS A WHOLE WITHOUT THE WRITTEN PERMISSION OF HESHKA OIL IS PROHIBITED.

UNLESS OTHERWISE SPECIFIED:			NAME	DATE	HESHKA OIL TITLE: Assembly Installation Tool BPV & TWCV SIZE B DWG. NO. H040800-01 REV A SCALE: NTS WEIGHT: 2 lbs SHEET 1 OF 1
DIMENSIONS ARE IN INCHES			DRAWN	FBR 12/22/2019	
TOLERANCES:			CHECKED	MJKP 12/23/2019	
FRACTIONAL: ±1/64"			ENG APPR.	MP 12/23/2019	
ANGULAR: ±1/2 Degree			MFG APPR.		
x.x ± .03			Q.A.		
x.xx ± .01			COMMENTS:		
x.xxx ± .005					
Surface Finish 125RMS Unless Otherwise Noted					
(X.XXX) INDICATES CRITICAL DIMENSION TO BE INSPECTED					
MATERIAL			NA		
FINISH					
REV.	ECN Number	Date	DO NOT SCALE DRAWING		
A	10060	12/28/2019			

4

3

2

1