

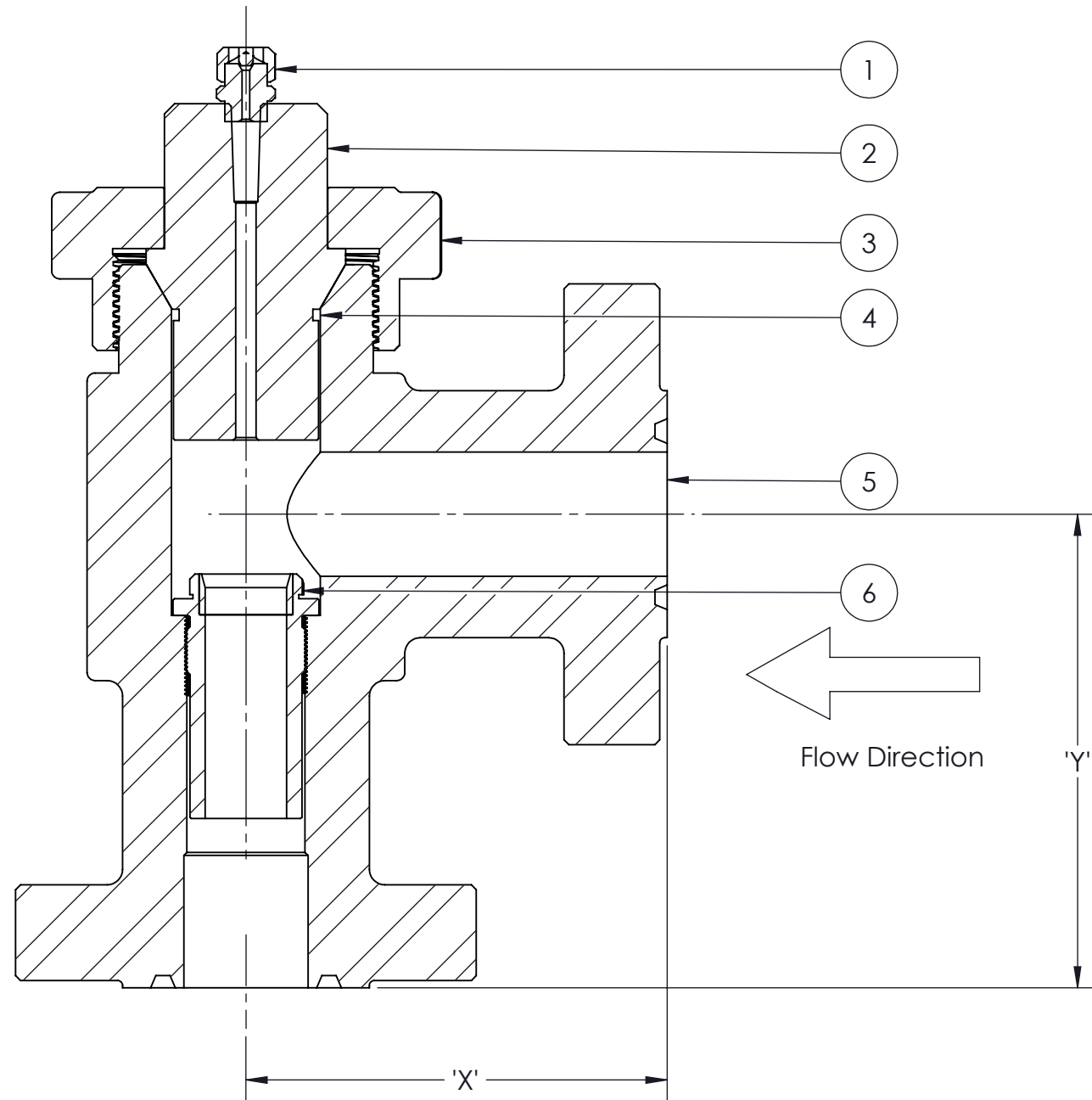
4

3

2

1

Item #	Description	Qty
1	Bleeder Plug	1
2	Bonnet	1
3	Bonnet Retainer	1
4	Seal	1
5	Body	1
6	Choke Bean	1



Size	Dimensional Data	
	X	Y
2-1/16"-5,000psi	8.9375	11.4375
3-1/8 - 5,000psi	8.875	11.375
4-1/16 - 5,000psi	10.125	12.625
3-1/16" - 10,000 psi	10.375	11.75

Flow Direction

Flow Direction

'X'

'Y'

PROPRIETARY AND CONFIDENTIAL
 THE INFORMATION CONTAINED IN THIS DRAWING IS THE SOLE PROPERTY OF HESHKA OIL. ANY REPRODUCTION IN PART OR AS A WHOLE WITHOUT THE WRITTEN PERMISSION OF HESHKA OIL IS PROHIBITED.

REV.	ECN Number	Date

UNLESS OTHERWISE SPECIFIED:
 DIMENSIONS ARE IN INCHES
 TOLERANCES:
 FRACTIONAL: ±1/64"
 ANGULAR: ±1/2 Degree
 x.x ± .03
 x.xx ± .01
 x.xxx ± .005
 Surface Finish 125RMS Unless Otherwise Noted
 (X.XXX) INDICATES CRITICAL DIMENSION TO BE INSPECTED

MATERIAL
 See Part Data Sheet

FINISH

DO NOT SCALE DRAWING

NAME	DATE
DRAWN: MJKP	11/15/2022
CHECKED: MP	11/15/2022
ENG APPR.	
MFG APPR.	
Q.A.	
COMMENTS:	

HESHKA OIL

TITLE:
**Positive Choke
 H2 Style
 3" Nom. x 2" Max.**

SIZE	DWG. NO.	REV
B	H11152022-001-MKT	A

SCALE: NTS WEIGHT: SHEET 1 OF 1

4

3

2

1

B

B

A

A