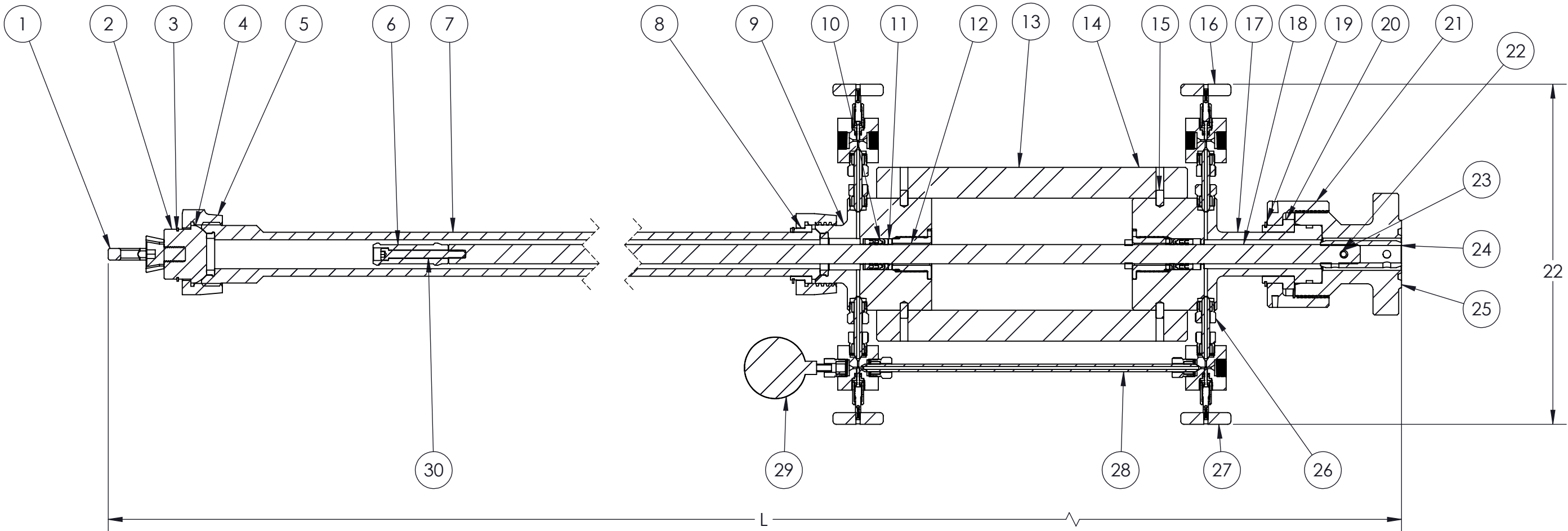


Item #	Description	Qty.
1	Swivel Lift Eye	1
2	Plug 1502 Weco	1
3	Retainer Ring	2
4	Nut 1502 Weco	2
5	Seal Ring	2
6	No Go	1
7	Spool	1
8	Segmented Lock Ring	1
9	Upper Yoke	1
10	Back UP Ring	2
11	Seal Assembly	2
12	Gland Nut	2

Item #	Description	Qty.
13	Side Plate	2
14	Cap Screw	8
15	Dowel Pin	4
16	Valve 2 Way	3
17	Lower Yoke	1
18	Polished Rod	1
19	Retainer Ring	1
20	Segmented Lock Ring	1
21	Slik Connect Nut	1
22	Dowel Pin	1
23	Socket Set Screw	1
24	Connector Coupling	1

Item #	Description	Qty.
25	Adapter Flange	1
26	HP Fitting	4
27	Valve 3 Way	1
28	HP Tubing	1
29	Gage	1
30	Cap Screw	1



Length "L" Varies from 10' to 22'
 Lubricator Stroke Varies from 8' to 22'
 Note: All sizes are approximate

PROPRIETARY AND CONFIDENTIAL
 THE INFORMATION CONTAINED IN THIS DRAWING IS THE SOLE PROPERTY OF HESHKA OIL. ANY REPRODUCTION IN PART OR AS A WHOLE WITHOUT THE WRITTEN PERMISSION OF HESHKA OIL IS PROHIBITED.

REV.	ECN Number	Date

UNLESS OTHERWISE SPECIFIED:		NAME	DATE
DIMENSIONS ARE IN INCHES		DRAWN	MJKP 4/28/2021
TOLERANCES:		CHECKED	MP 4/28/2021
FRACTIONAL: ±1/64"		ENG APPR.	
ANGULAR: ±1/2 Degree		MFG APPR.	
x.x ± .03		Q.A.	
x.xx ± .01		COMMENTS:	
x.xxx ± .005			
Surface Finish 125RMS Unless Otherwise Noted			
(X.XXX) INDICATES CRITICAL DIMENSION TO BE INSPECTED			
MATERIAL			
FINISH			
DO NOT SCALE DRAWING			

HESHKA OIL

TITLE: **GA**
BPV & TWCV Lubricator
1-13/16" & 2-9/16"-10Ksi-15Ksi

SIZE	DWG. NO.	REV
B	H04282021-LUB-GA	A

SCALE: NTS WEIGHT: SHEET 1 OF 1