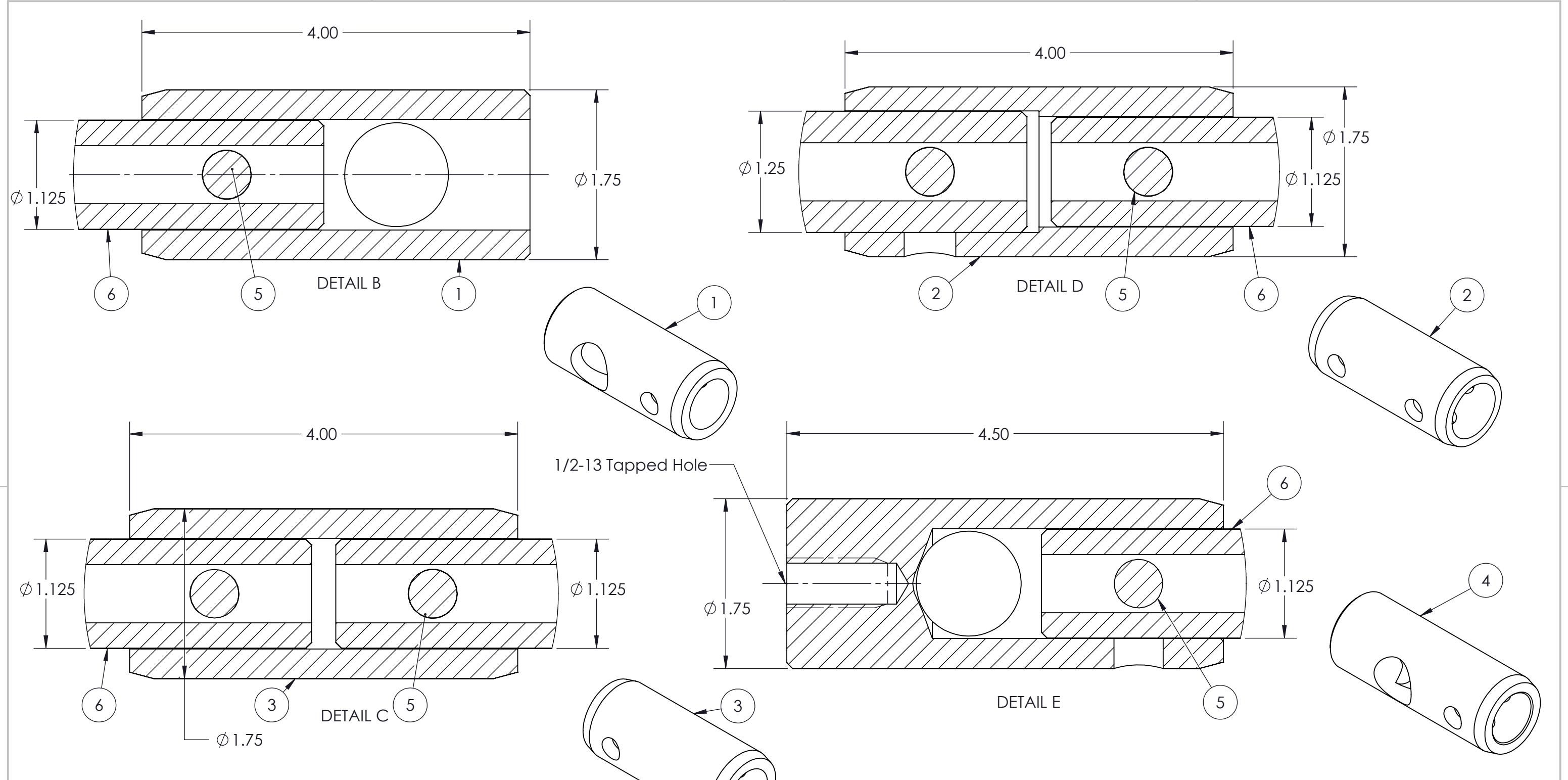


4

3

2

1



Item No.	Description
1	Dry Rod Adapter (Regular)
2	Running Tool Adapter
3	Connector Sleeve
4	Dry Rod Adapter (Swivel)
5	Retainer Pin
6	Dry Rod 1.125"

**PROPRIETARY AND CONFIDENTIAL**  
 THE INFORMATION CONTAINED IN THIS DRAWING IS THE SOLE PROPERTY OF HESHKA OIL. ANY REPRODUCTION IN PART OR AS A WHOLE WITHOUT THE WRITTEN PERMISSION OF HESHKA OIL IS PROHIBITED.

REV.	ECN Number	Date
A	10202	8/24/2021

UNLESS OTHERWISE SPECIFIED:		NAME	DATE
DIMENSIONS ARE IN INCHES		DRAWN	AJ 8/24/2021
TOLERANCES:		CHECKED	MK 8/27/2021
FRACTIONAL: ±1/64"		ENG APPR.	MJKP 8/30/2021
ANGULAR: ±1/2 Degree		MFG APPR.	
x.x ± .03		Q.A.	
x.xx ± .01		COMMENTS:	
x.xxx ± .005			
Surface Finish 125RMS Unless Otherwise Noted			
(X.XXX) INDICATES CRITICAL DIMENSION TO BE INSPECTED			
MATERIAL			
FINISH			
DO NOT SCALE DRAWING			

**HESHKA OIL**

TITLE: **Assembly Zero Pressure Dry Rod**

SIZE **B** DWG. NO. **H-ZPDRK-XXX** REV **A**

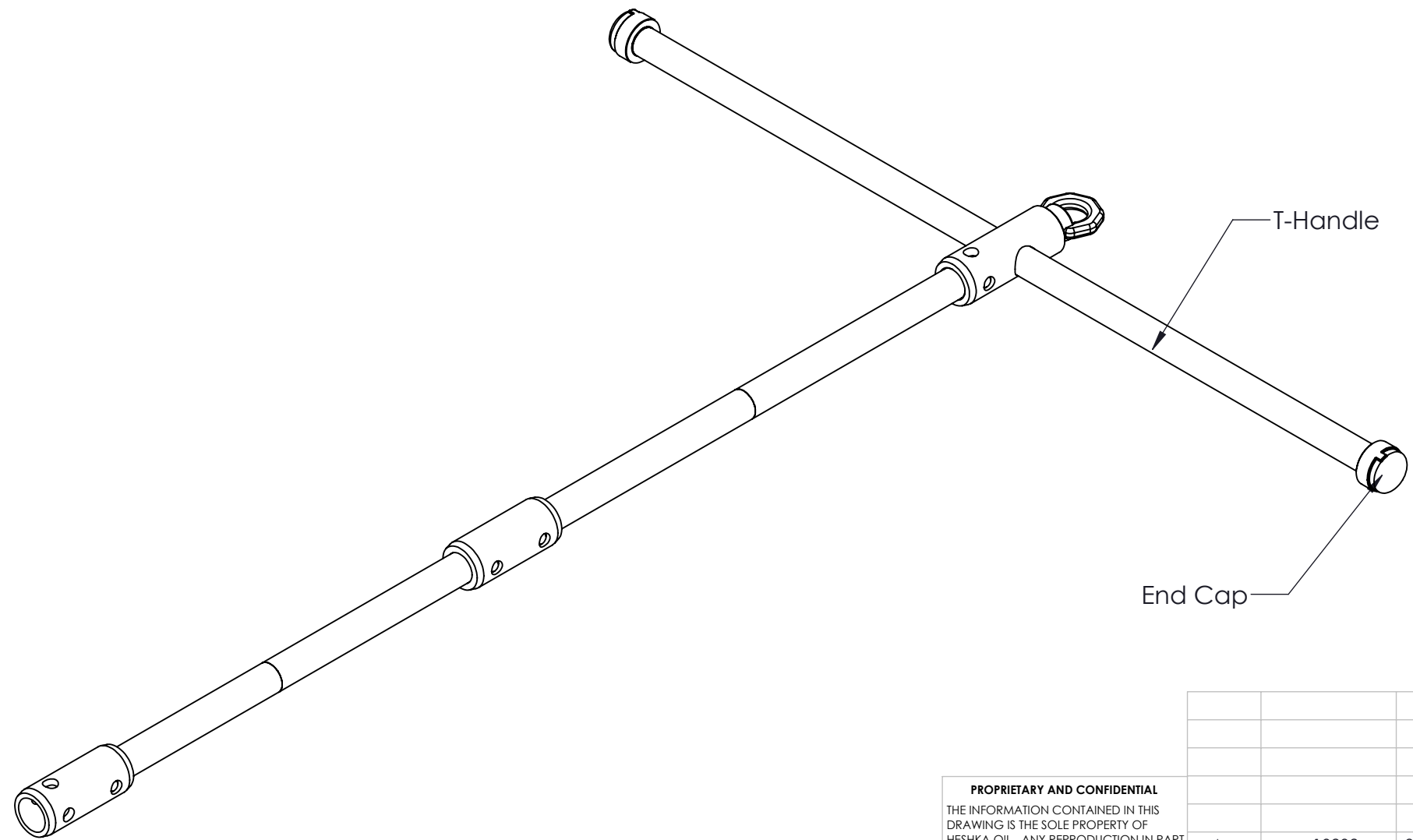
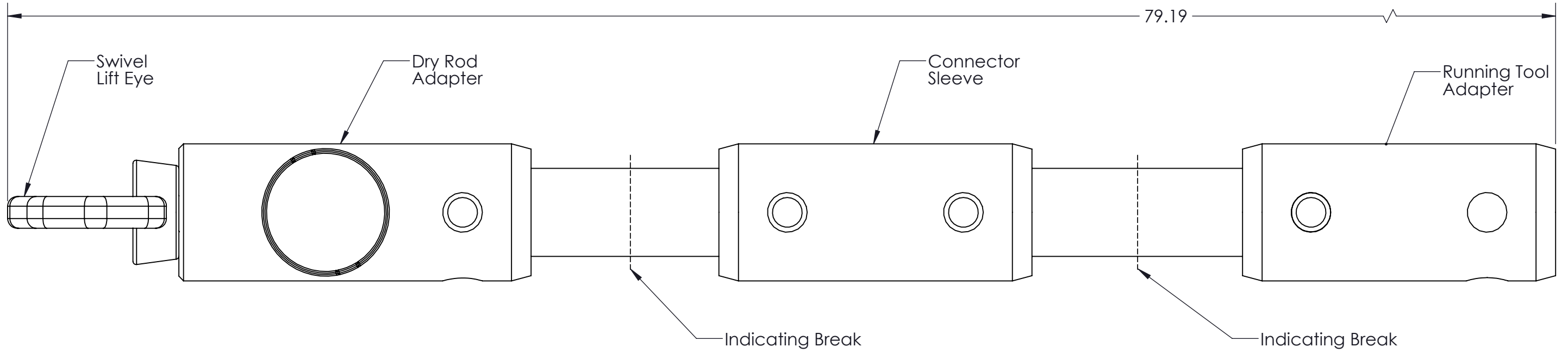
SCALE: NTS WGT: LBS SHEET 1 OF 2

4

3

2

1



**PROPRIETARY AND CONFIDENTIAL**  
 THE INFORMATION CONTAINED IN THIS DRAWING IS THE SOLE PROPERTY OF HESHKA OIL. ANY REPRODUCTION IN PART OR AS A WHOLE WITHOUT THE WRITTEN PERMISSION OF HESHKA OIL IS PROHIBITED.

A	10202	8/24/2021	
REV.	ECN Number	Date	

UNLESS OTHERWISE SPECIFIED:  
 DIMENSIONS ARE IN INCHES  
 TOLERANCES:  
 FRACTIONAL ±1/64"  
 ANGULAR: ±1/2 Degree  
 x.x ±.03  
 x.xx ±.01  
 x.xxx ±.005  
 Surface Finish 125RMS Unless Otherwise Noted  
 (X.XXX) INDICATES CRITICAL DIMENSION TO BE INSPECTED

MATERIAL: NA  
 FINISH:  
 DO NOT SCALE DRAWING

	NAME	DATE
DRAWN	AJ	8/24/2021
CHECKED	MK	8/27/2021
ENG APPR.	MJKP	8/30/2021
MFG APPR.		
Q.A.		
COMMENTS:		

 **HESHKA OIL**

TITLE: **Assembly Zero Pressure Dry Rod**

SIZE	DWG. NO.	REV
<b>B</b>	H-ZPDRK-XXX	<b>A</b>

SCALE: NTS WGT: LBS SHEET 2 OF 2

4

3

2

1

B

B

A

A