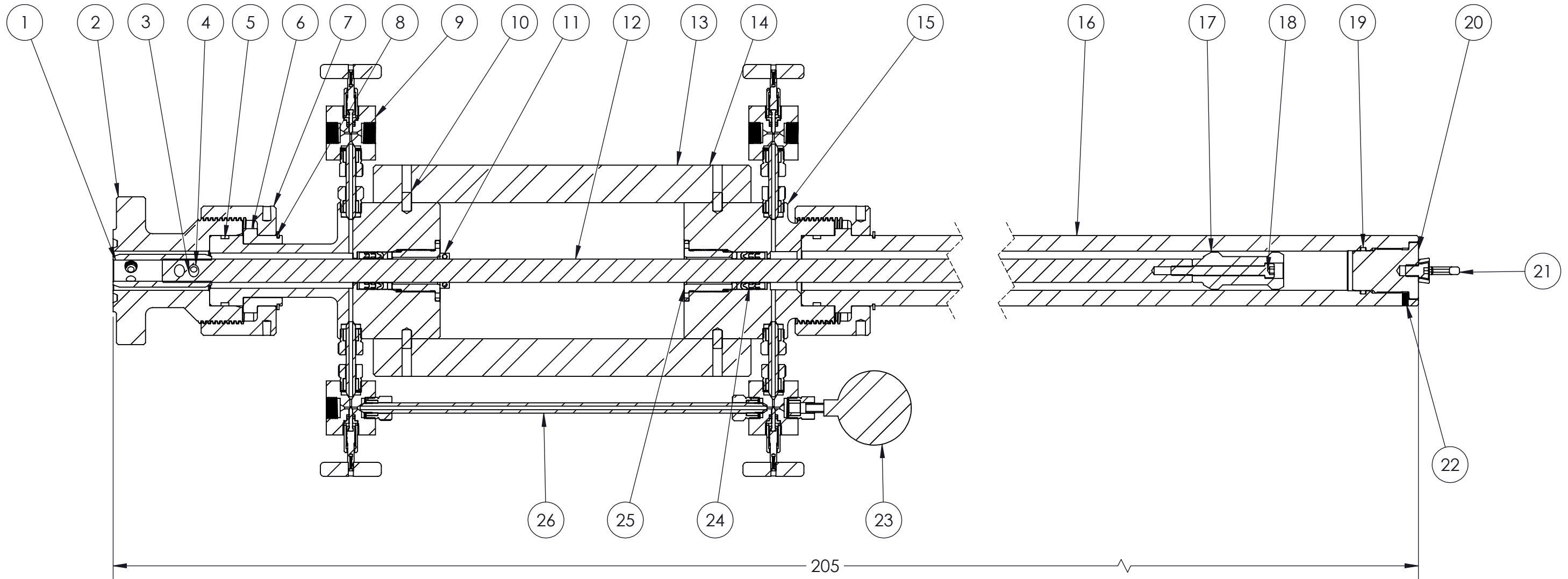


Item #	Description	Qty.	Item #	Description	Qty.	Item #	Description	Qty.	Item #	Description	Qty.
1	BPV Coupling	1	8	Retainer Ring	2	15	Upper Yoke Body	1	22	Set Screw	3
2	Lower Yoke Body	1	9	9-1/16" HP Valve	4	16	Upper Barrel	1	23	Gage	1
3	Dowel Pin	1	10	Dowel Pin	4	17	No-Go	1	24	Packing	2
4	Set Screw	1	11	Polished Rod Stop Collar	1	18	Cap Screw	1	25	Packing Gland Nut	2
5	O-Ring	2	12	Polished Rod	1	19	O-Ring	1	26	HP Tubing	1
6	Load Ring	1	13	Side Plate	2	20	Barrel End Cap	1			
7	Nut	2	14	Cap Screw (Side Plate)	16	21	Lift Eye	1			



TECHNICAL DATA	
Rod Size	1-1/4"
Pressure Rating	15,000 psi*
Temperature Class	L - U
Material Class	AA - HH
Lift Eye Capacity	3,300lbs (vertical)
Stroke Length	13ft

PROPRIETARY AND CONFIDENTIAL
 THE INFORMATION CONTAINED IN THIS DRAWING IS THE SOLE PROPERTY OF HESHKA OIL. ANY REPRODUCTION IN PART OR AS A WHOLE WITHOUT THE WRITTEN PERMISSION OF HESHKA OIL IS PROHIBITED.

REV.	ECN Number	Date

UNLESS OTHERWISE SPECIFIED:

DIMENSIONS ARE IN INCHES
 TOLERANCES:
 FRACTIONAL: ±1/64"
 ANGULAR: ±1/2 Degree
 x.x ±.03
 x.xx ±.01
 x.xxx ±.005
 Surface Finish 125RMS Unless
 Otherwise Noted
 (X.XXX) INDICATES CRITICAL
 DIMENSION TO BE INSPECTED

MATERIAL: NA
 FINISH: NA
 DO NOT SCALE DRAWING

	NAME	DATE
DRAWN	MJKP	12/15/2021
CHECKED	MP	12/15/2021
ENG APPR.	AJ	12/15/2021
MFG APPR.		
Q.A.		
COMMENTS:		

HESHKA OIL

TITLE: **GA**
**Pressure Balanced Manually Operated
 Lubricator**
With Heshka Slik Connect

SIZE: **B** DWG. NO.: H12152021-001-Q REV: **A**

SCALE: NTS WEIGHT: SHEET 1 OF 1

4

3

2

1