

4

3

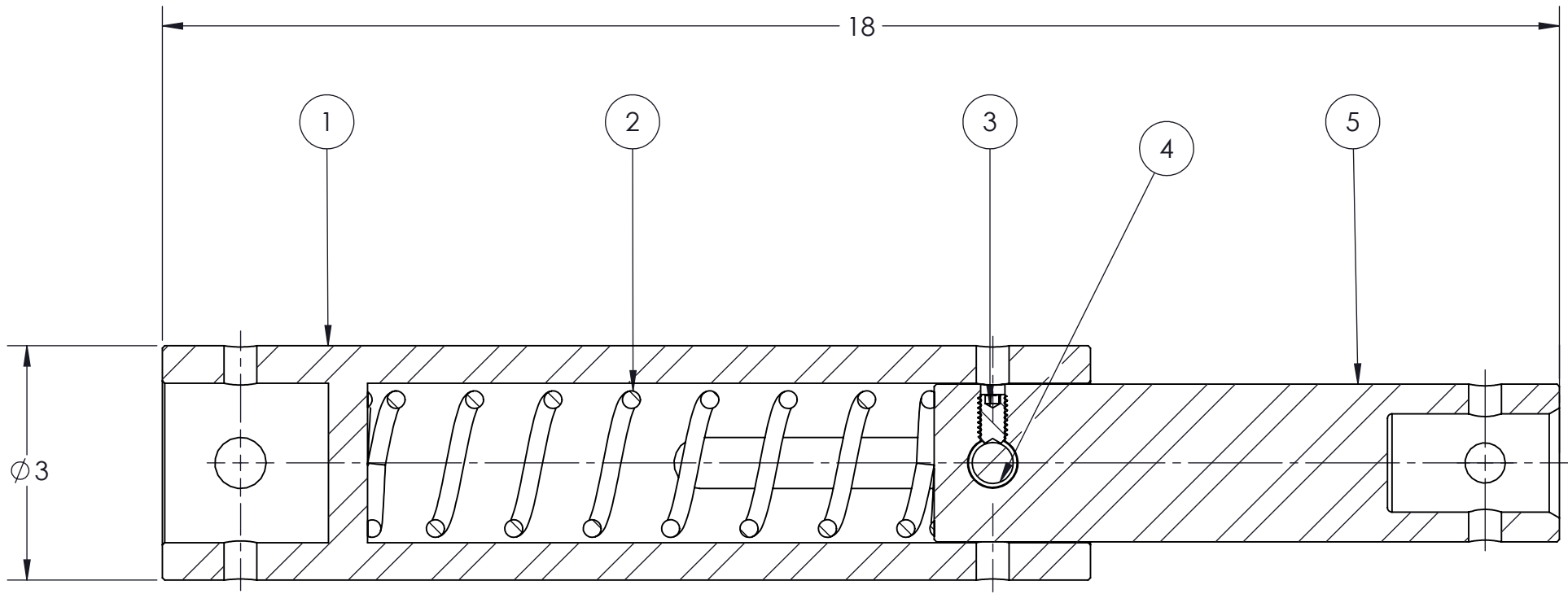
2

1

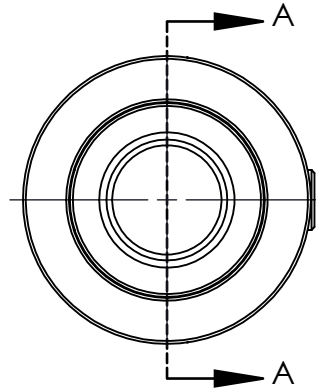
| Item # | Description | Qty. |
|--------|-----------------------------|------|
| 1 | Body, Shell | 1 |
| 2 | Spring, Compression | 1 |
| 3 | Set Screw | 1 |
| 4 | Dowel Pin | 1 |
| 5 | Sliding Retriving Tip Mount | 1 |

B

B

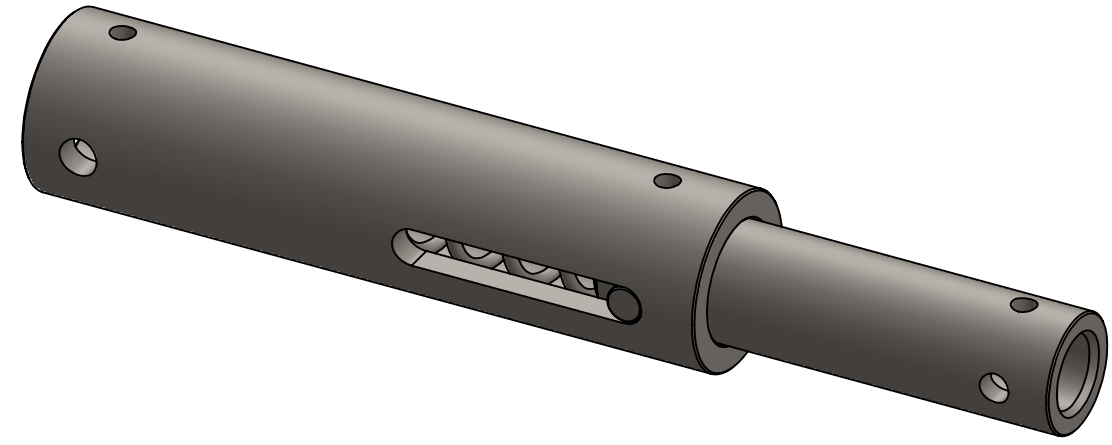


SECTION A-A



A

A



PROPRIETARY AND CONFIDENTIAL
 THE INFORMATION CONTAINED IN THIS DRAWING IS THE SOLE PROPERTY OF HESHKA OIL. ANY REPRODUCTION IN PART OR AS A WHOLE WITHOUT THE WRITTEN PERMISSION OF HESHKA OIL IS PROHIBITED.

| REV. | ECN Number | Date |
|------|------------|----------|
| A | 10073 | 5/7/2020 |

UNLESS OTHERWISE SPECIFIED:
 DIMENSIONS ARE IN INCHES
 TOLERANCES:
 FRACTIONAL: ±1/64"
 ANGULAR: ±1/2 Degree
 x.x ±.03
 x.xx ±.01
 x.xxx ±.005
 Surface Finish 125RMS Unless Otherwise Noted
 (X.XXX) INDICATES CRITICAL DIMENSION TO BE INSPECTED

MATERIAL: NA
 FINISH: NA

DO NOT SCALE DRAWING

| | NAME | DATE |
|-----------|------|----------|
| DRAWN | MK | 5/5/2020 |
| CHECKED | MJKP | 5/6/2020 |
| ENG APPR. | MJKP | 5/7/2020 |
| MFG APPR. | | |
| Q.A. | | |
| COMMENTS: | | |

HESHKA OIL

TITLE: **General Arrangement Hydraulic Lubricator Socket Assembly for 2" Polished Rod**

| | | |
|----------|----------|----------|
| SIZE | DWG. NO. | REV |
| B | HGAHLSA2 | A |

SCALE: NTS WEIGHT: 20 lb SHEET 1 OF 1

4

3

2

1