

4

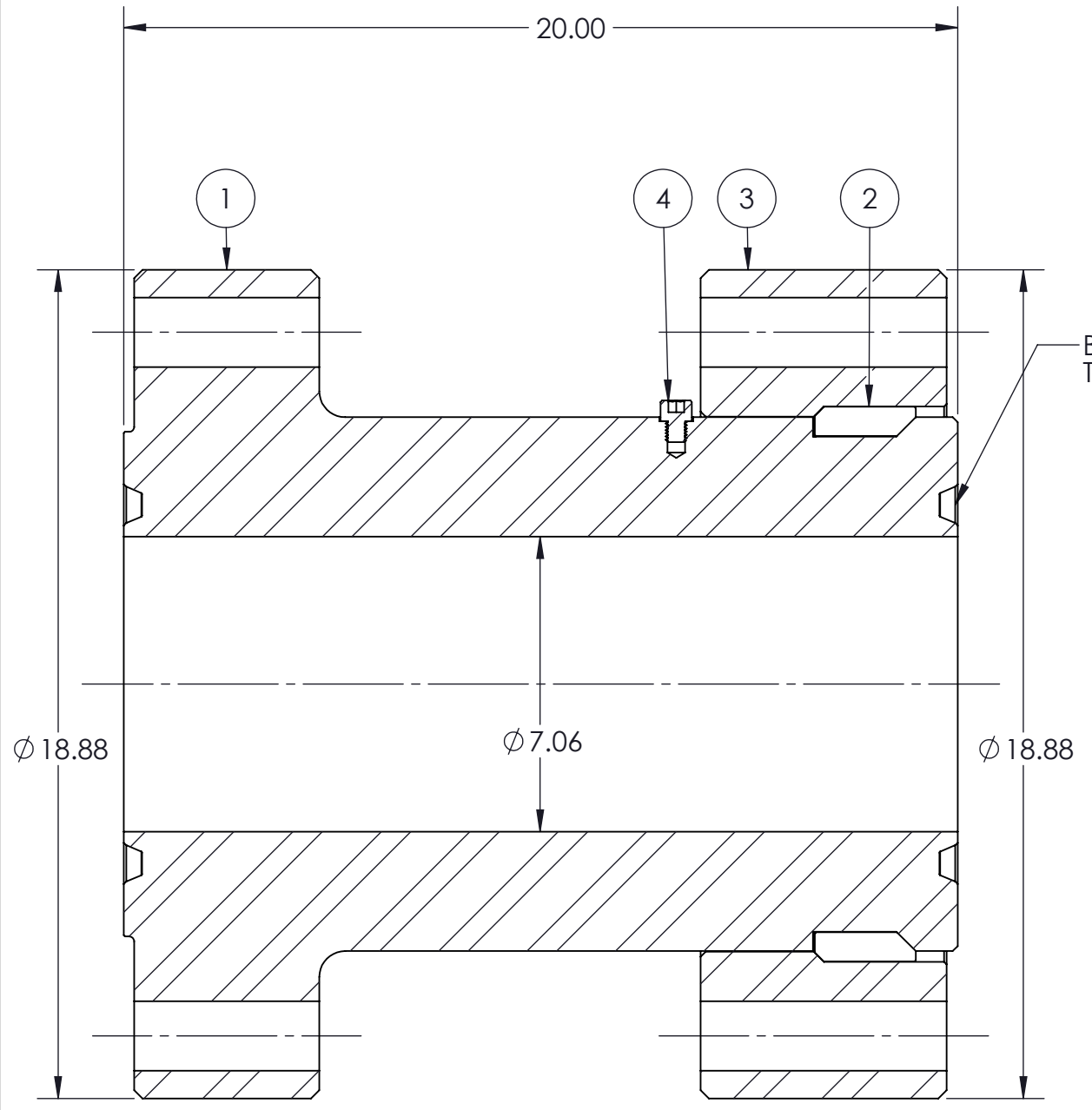
3

2

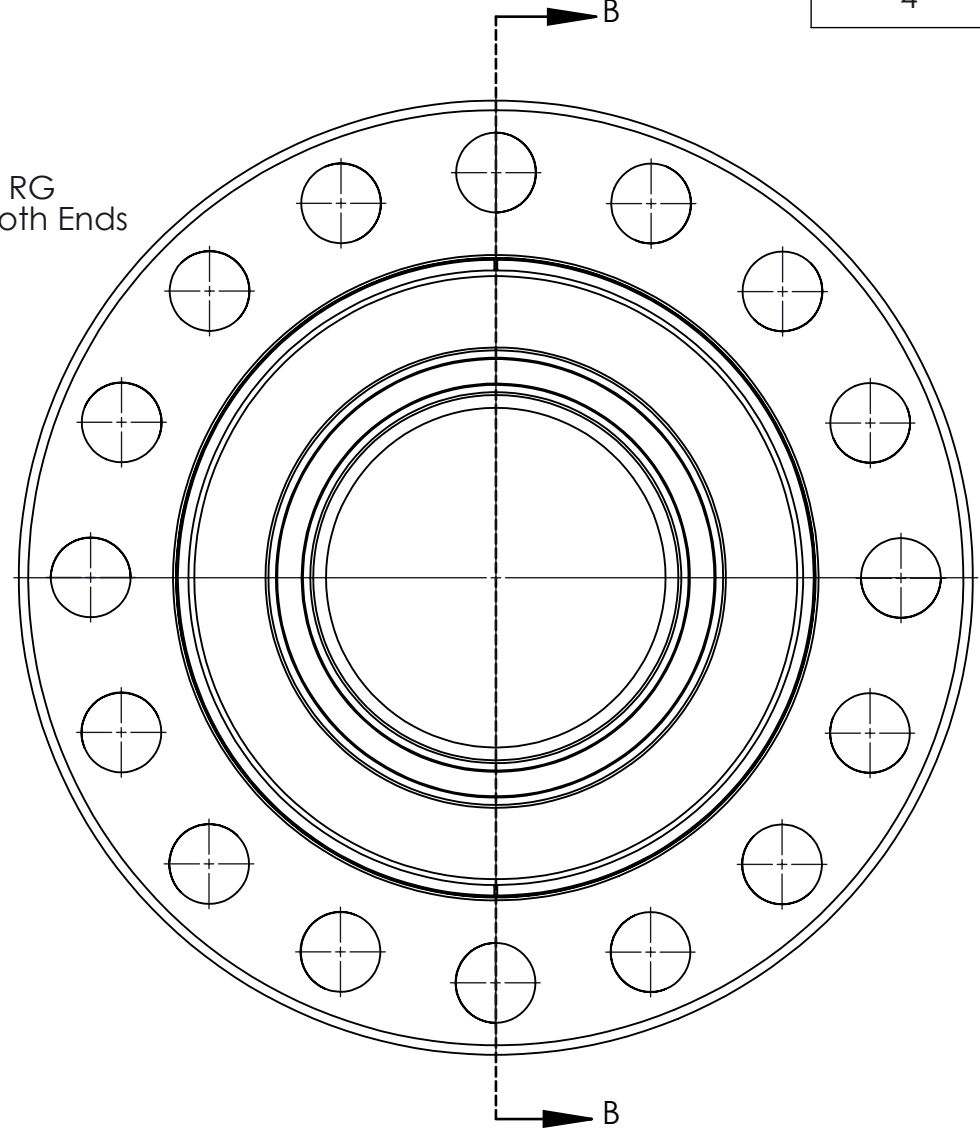
1

| ITEM NO. | DESCRIPTION | QTY. |
|----------|----------------------------------|------|
| 1 | Body, Swivel Spool, Flange x Hub | 1 |
| 2 | Load Ring, Swivel Spool | 1 |
| 3 | Flange, Swivel Spool | 1 |
| 4 | Cap Screw | 3 |

B



BX156 RG
Typ. Both Ends



B

SECTION B-B



PROPRIETARY AND CONFIDENTIAL
 THE INFORMATION CONTAINED IN THIS DRAWING IS THE SOLE PROPERTY OF HESHKA OIL. ANY REPRODUCTION IN PART OR AS A WHOLE WITHOUT THE WRITTEN PERMISSION OF HESHKA OIL IS PROHIBITED.

| | | | | | |
|--|------------|------|----------------------|----------------|---|
| UNLESS OTHERWISE SPECIFIED: | | | NAME | DATE | HESHKA OIL TITLE: Assembly Swivel Spool 7 1/16"-10ksi |
| DIMENSIONS ARE IN INCHES | | | DRAWN | FBR 7/15/2019 | |
| TOLERANCES: | | | CHECKED | MJKP 7/18/2019 | |
| FRACTIONAL: ±1/64" | | | ENG APPR. | MJKP 7/18/2019 | |
| ANGULAR: ±1/2 Degree | | | MFG APPR. | | |
| x.x ± .03 | | | Q.A. | | |
| x.xx ± .01 | | | COMMENTS: | | |
| x.xxx ± .005 | | | | | |
| Surface Finish 125RMS Unless Otherwise Noted | | | | | |
| MATERIAL | | | | | |
| See Part Data Sheet | | | | | |
| FINISH | | | | | |
| REV. | ECN Number | Date | DO NOT SCALE DRAWING | | |
| | | | SIZE | DWG. NO. | REV |
| | | | B | MKT-DWG | A |
| | | | SCALE: NTS | WEIGHT: 776lbs | SHEET 1 OF 1 |

4

3

2

1

A

A