

4

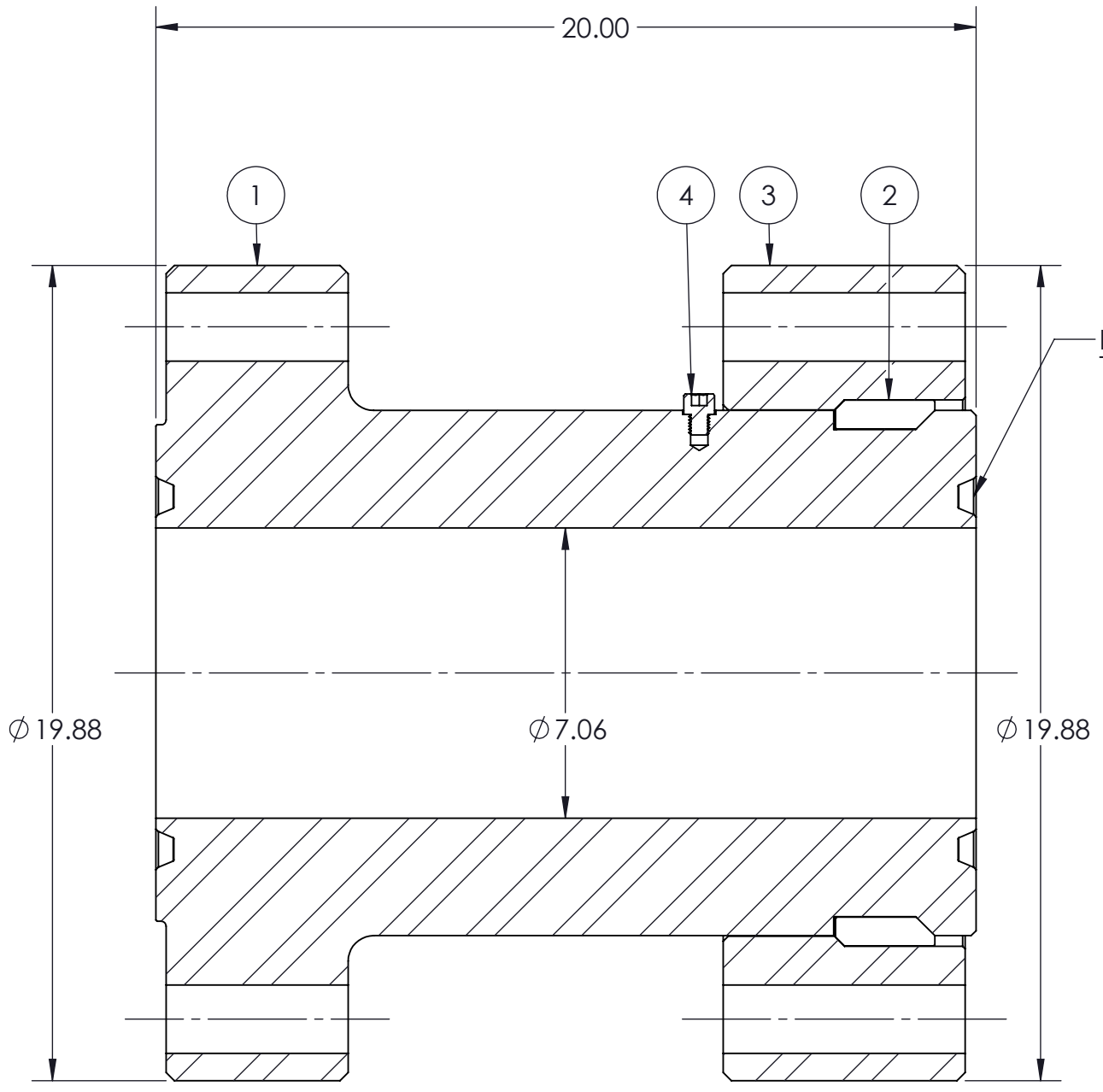
3

2

1

ITEM NO.	DESCRIPTION	QTY.
1	Body, Swivel Spool, Flange x Hub	1
2	Load Ring, Swivel Spool	1
3	Flange, Swivel Spool	1
4	Cap Screw	3

B



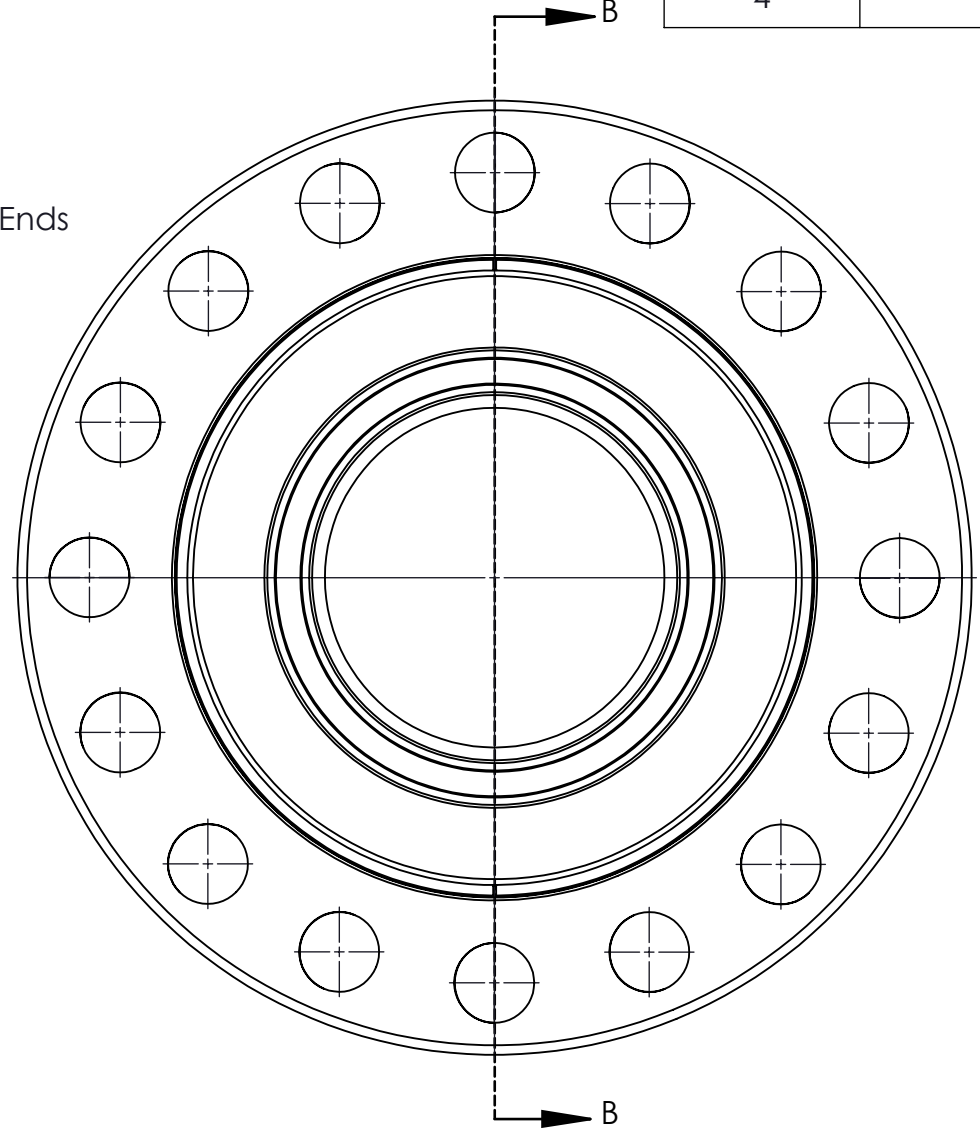
BX156 RG
Typ. Both Ends

Ø19.88

Ø7.06

Ø19.88

SECTION B-B



B

A

A



PROPRIETARY AND CONFIDENTIAL
 THE INFORMATION CONTAINED IN THIS DRAWING IS THE SOLE PROPERTY OF HESHKA OIL. ANY REPRODUCTION IN PART OR AS A WHOLE WITHOUT THE WRITTEN PERMISSION OF HESHKA OIL IS PROHIBITED.

REV.	ECN Number	Date

UNLESS OTHERWISE SPECIFIED:
 DIMENSIONS ARE IN INCHES
 TOLERANCES:
 FRACTIONAL: ±1/64"
 ANGULAR: ±1/2 Degree
 x.x ±.03
 x.xx ±.01
 x.xxx ±.005
 Surface Finish 125RMS Unless
 Otherwise Noted
 MATERIAL
 See Part Data Sheet
 FINISH
 DO NOT SCALE DRAWING

	NAME	DATE
DRAWN	FBR	7/15/2019
CHECKED	MJKP	7/18/2019
ENG APPR.	MJKP	7/18/2019
MFG APPR.		
Q.A.		
COMMENTS:		

HESHKA OIL

TITLE:
Assembly Swivel Spool
7 1/16"-15ksi

SIZE B	DWG. NO. MKT-DWG	REV A
SCALE: NTS	WEIGHT: 930lbs	SHEET 1 OF 1

4

3

2

1